

Keith Palmer
Managing Director
TPS Weldtech Ltd

Founded 1972

UK Workforce 40

Sales, Hire & Service – Welding & Cutting systems



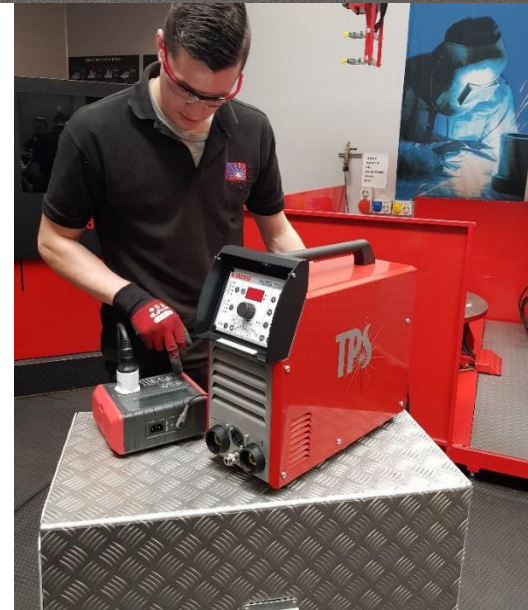
Scottish HQ & Tech Centre





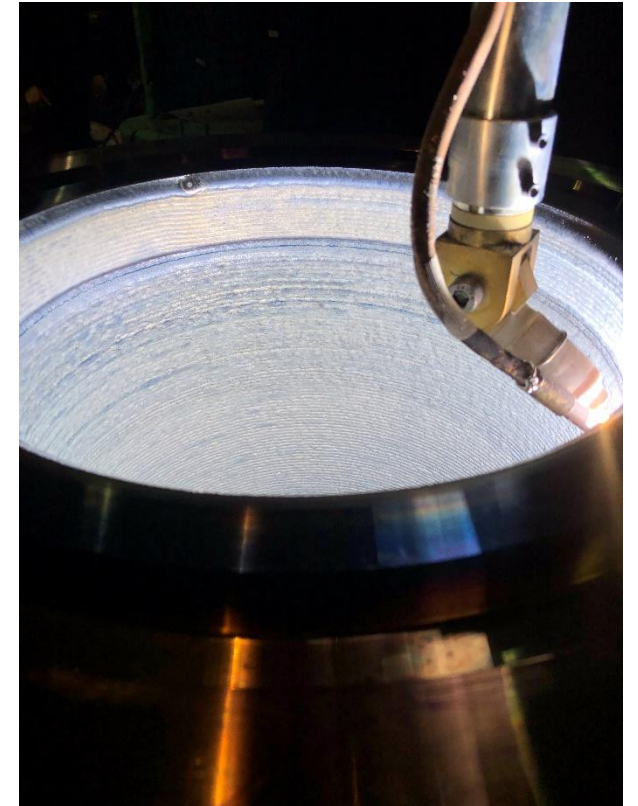
T Service

- Onsite response
 - UK standard within 24hr (Mon-Fri)
 - Robotic / Automated / Manual

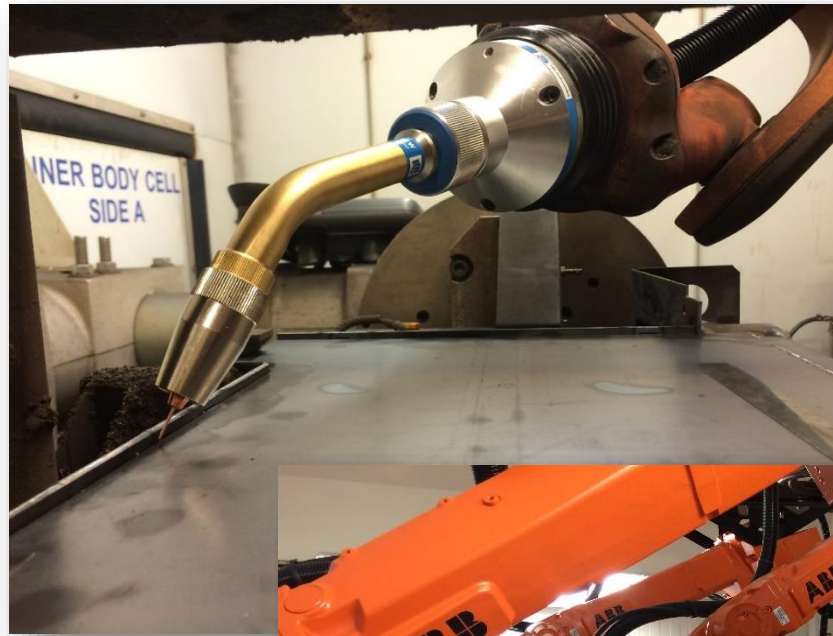


T Pedigree

- Automation



290 complete systems worldwide



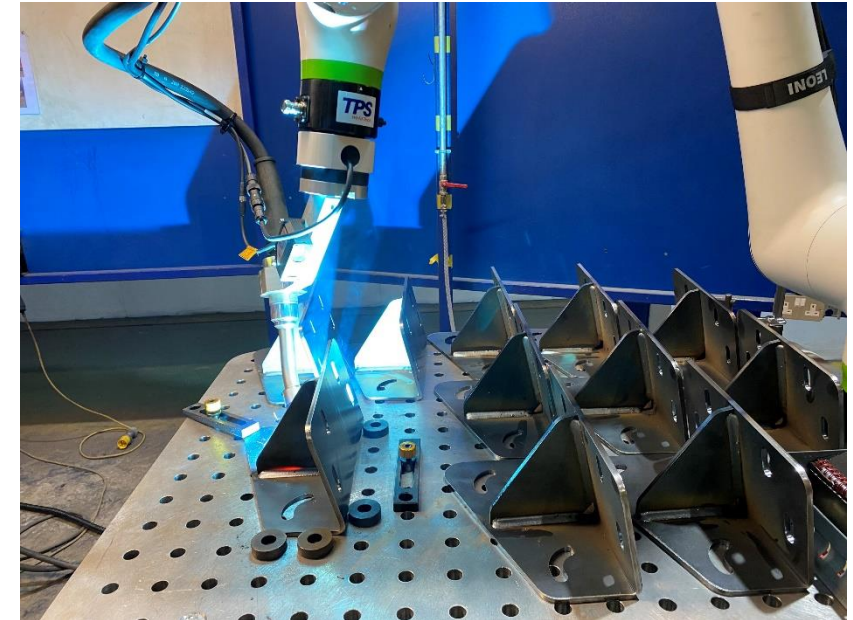
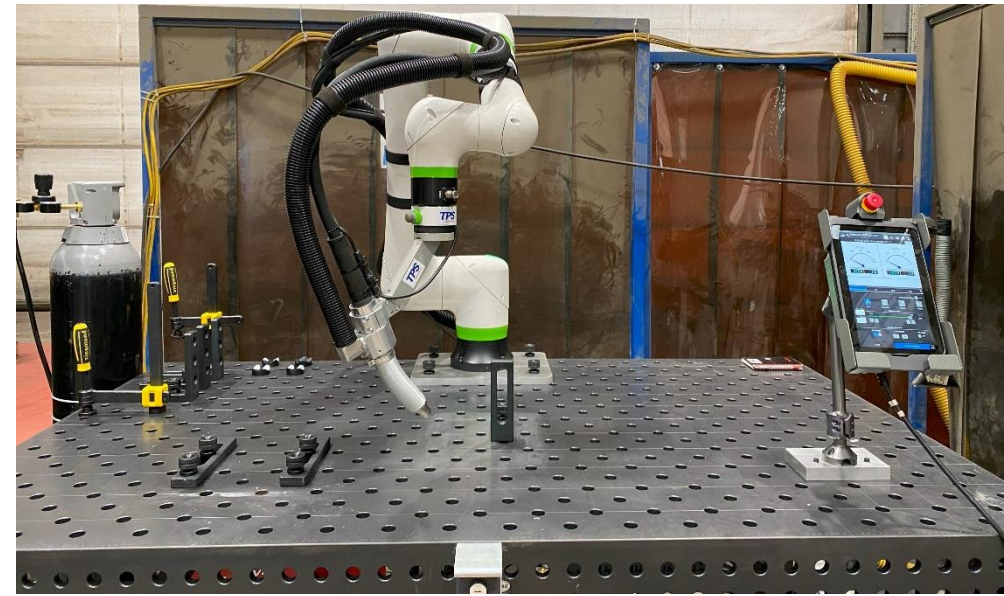
T Pedigree

- Industrial Robotics

Over 300 robotic weld systems UK

T Pedigree

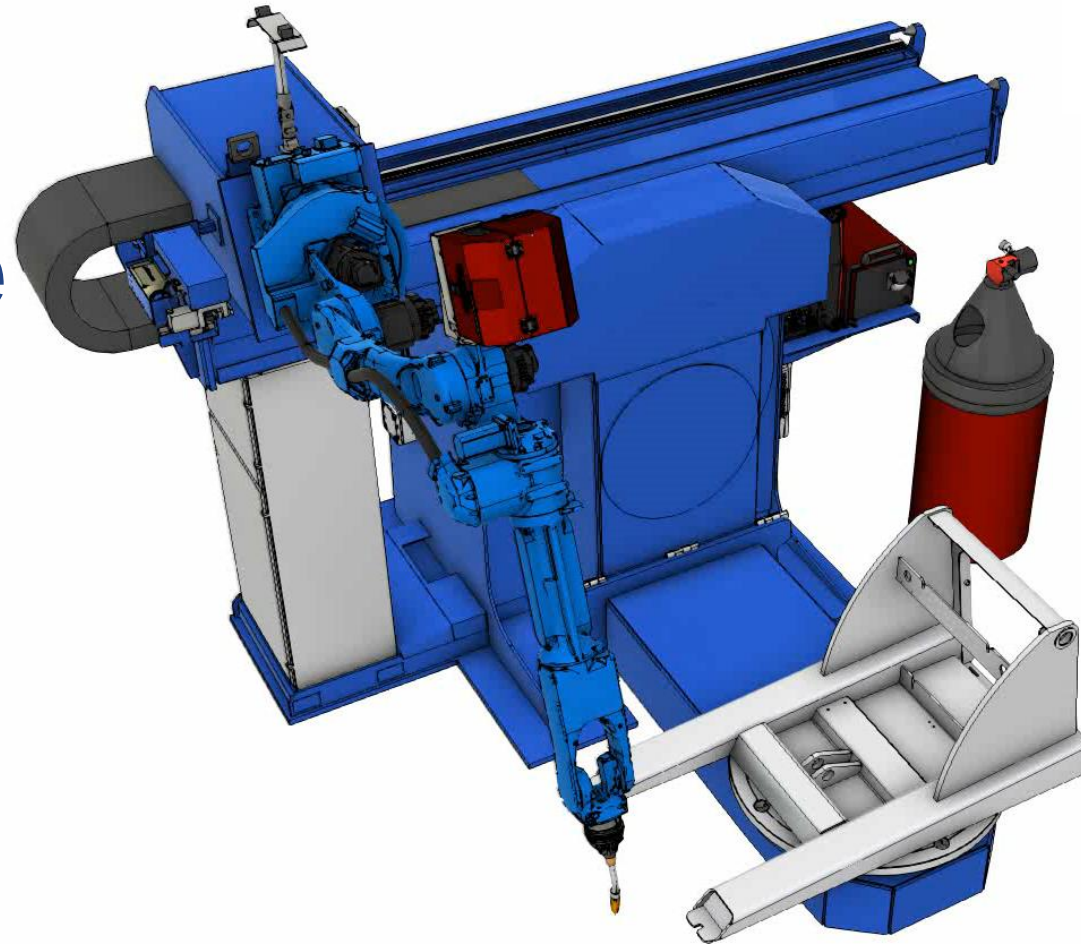
- Industrial Cobots



Pema Pedigree

- Industrial Robots
- Heavy industry
- Multi axis
- GMAW & SAW





Pema Software

- Offline Programming
- High mix, low volume
- Auto path creation
- Adaptive multipass

Pema VRWP-C

- Mounted on rails, 29m long
- Working area 120m²
- Scans with camera then welds
- 94m of weld in 1 shift



T Pema Projects

- **Current large UK Projects**
 - Babcock, Rosyth
 - BAE Systems, Govan
 - Rolls Royce Submarines, Derby



T Cutting

- Oxy fuel / Plasma
- Bevel cutting
- Drilling
- Milling
- Marking of sheets, pipes, profiles





The University of Sheffield.



NUCLEAR AMRC